



## Main Features:-

- ◆ PN10/16/25/40 & ANSI 300 1½" to 3", PN10/16 4" to 6", PN16 8" to 12"
- ◆ Stainless Steel Disc 1½" to 8", Zinc Plated Carbon Steel Disc 10" & 12" Rated PN52 1½" to 3", PN16 4" to 12" Rated PN25, Temperature -20°C to 120°C

\*Temperature and pressure determined by valve body, seat etc.

## Suitable Applications & Approvals:



## SERIES: 30125-30128

MANUFACTURER: **AV@L**  
INDUSTRIAL VALVES



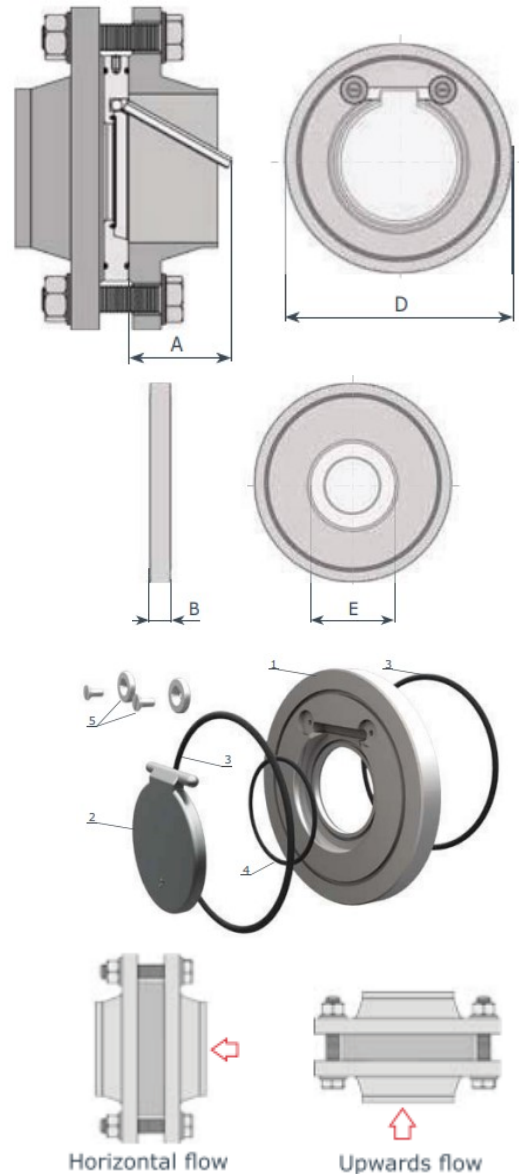
## Pressure/Temperature Rating

Pressure	1 1/2" to 3" PN25 4" to 12" PN16
Temperature	EPDM 0°C to 130°C
	NBR 0°C to 95°C
	Viton 0°C to 200°C PTFE 0°C to 200°C

Part	Material
Body	Zinc Plated Carbon Steel
Disc	AISI 316(DN40 to DN200) Zinc Plated Carbon Steel(DN250 & DN300)
Screw	AISI 316
Seat	EPDM/NBR/Viton/PTFE

VALVE DIMENSIONS

DN	A	D	E	B	Kg
40	30	95	22	14	0.7
50	35	109	32	14	0.9
65	48	128	40	14	1.2
80	60	145	54	14	1.5
100	78	164	70	18	2.5
125	98	195	92	18	3.2
150	117	221	112	20	5.3
200	160	275	154	22	9.7
250	200	330	200	26	16.2
300	235	380	240	32	28



T +44 (0)1386 552369

E sales@allvalves.co.uk

W www.allvalves.co.uk

F +44 (0)1386 554227

